

# Gladiator

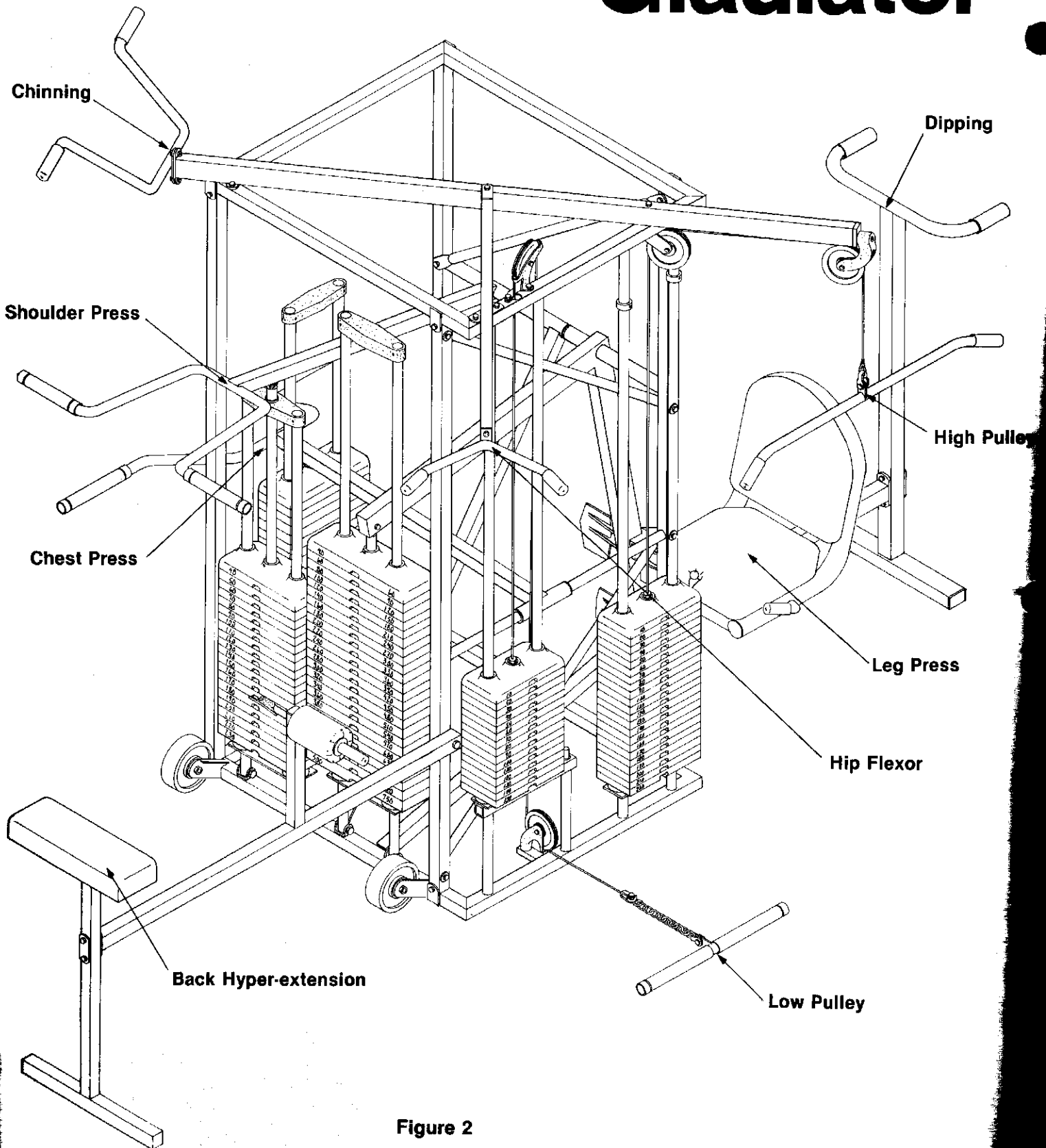


Figure 2

Figure 3

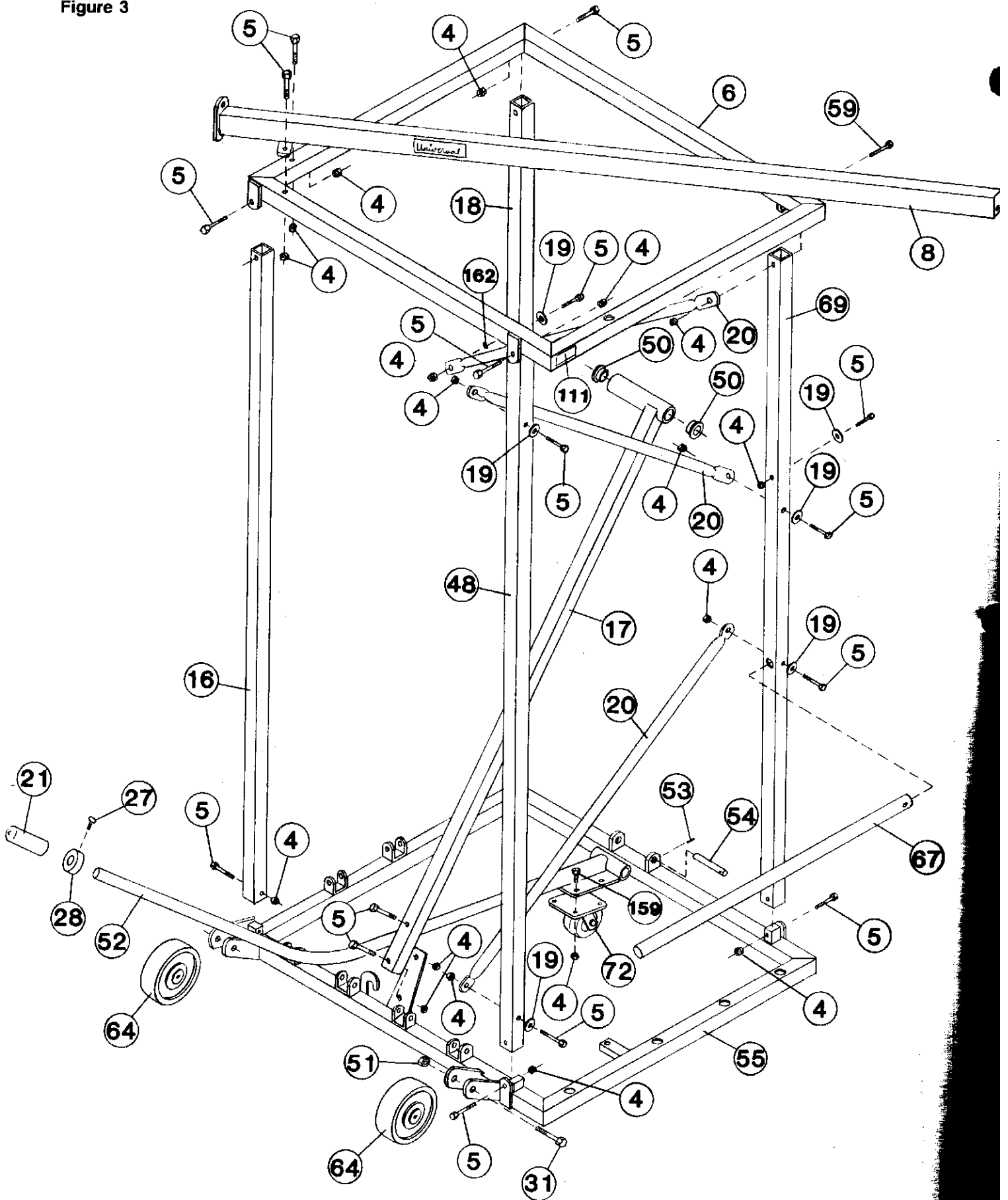


Figure 4

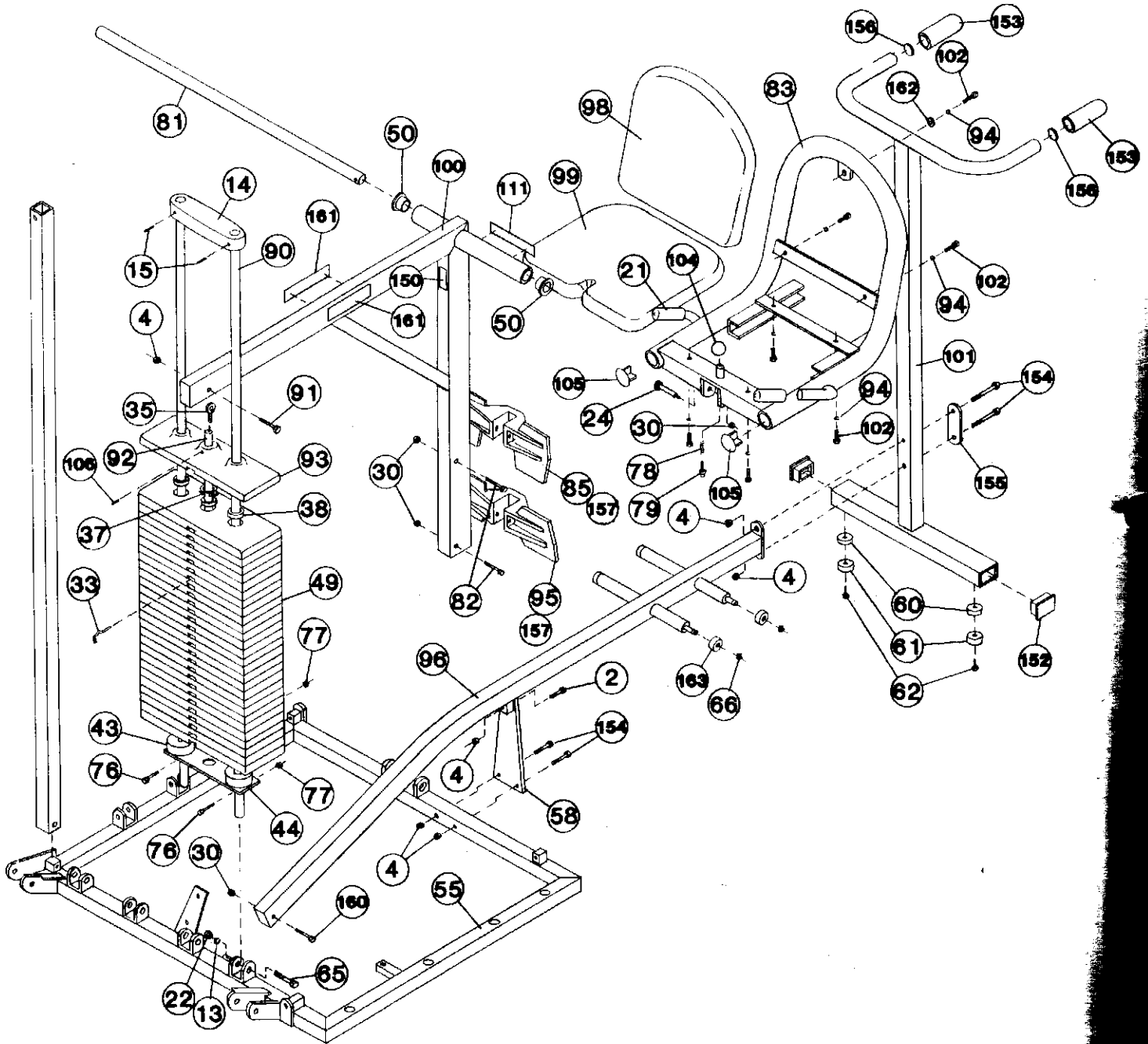




Figure 6

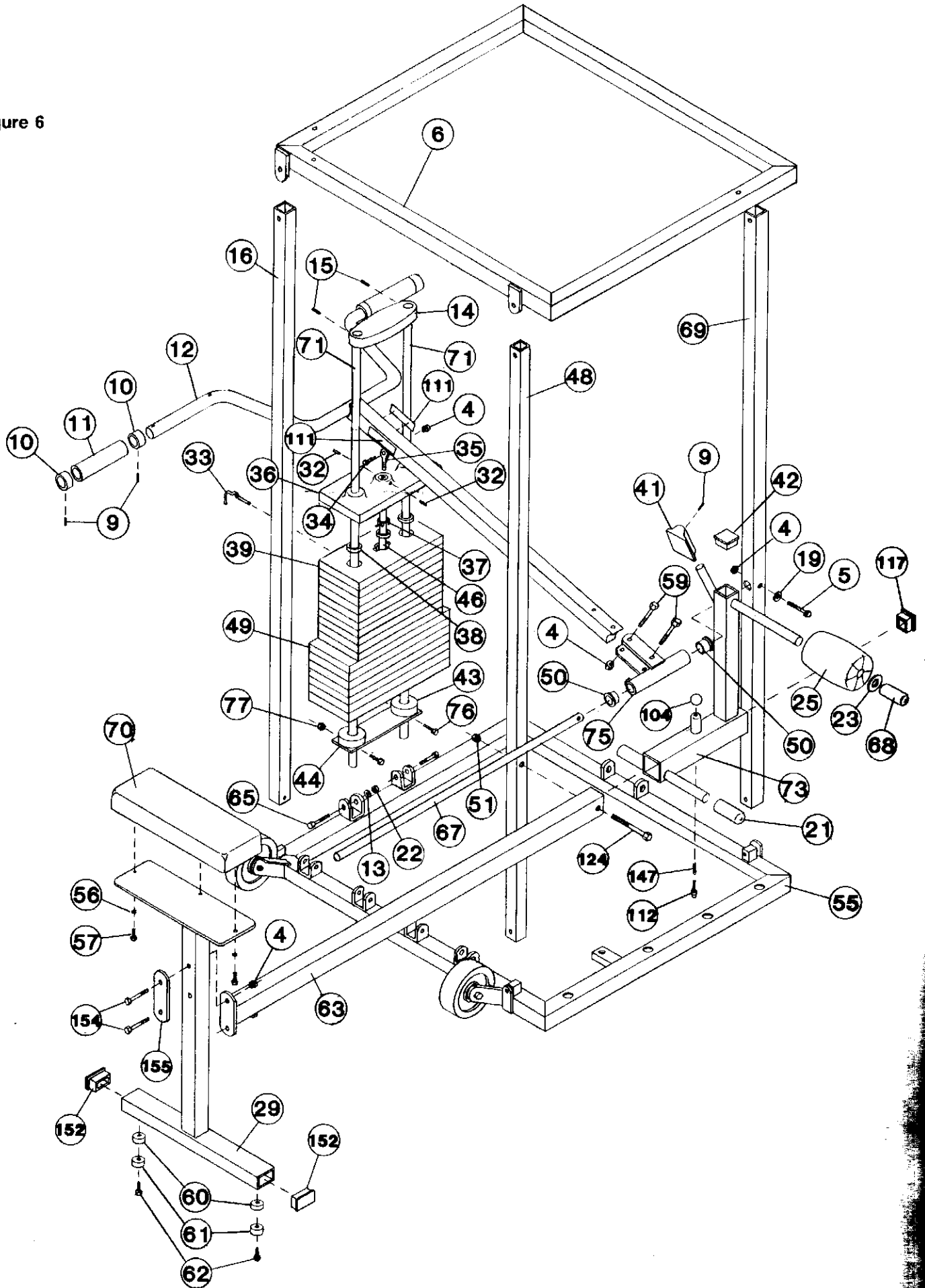
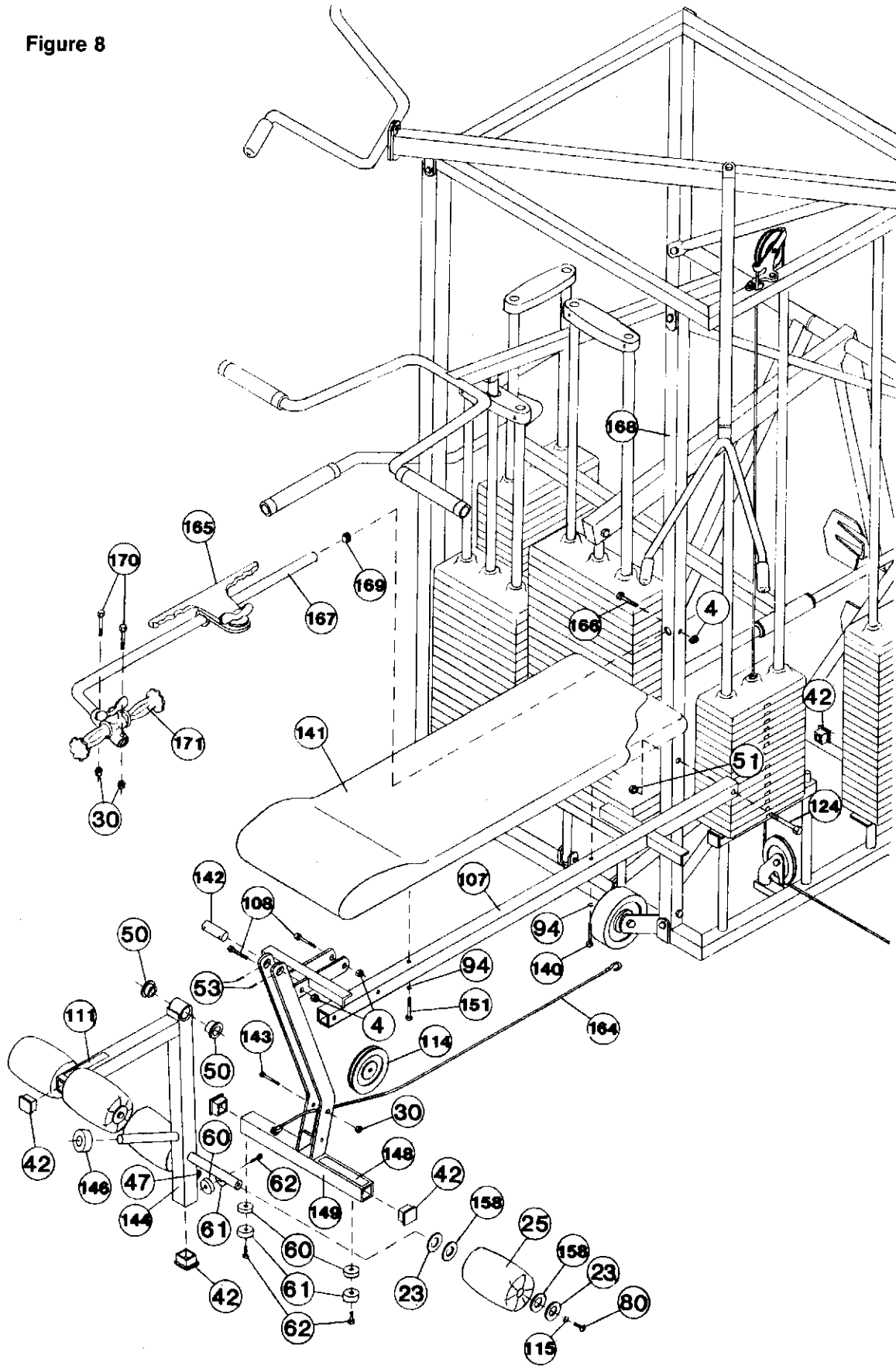




Figure 8



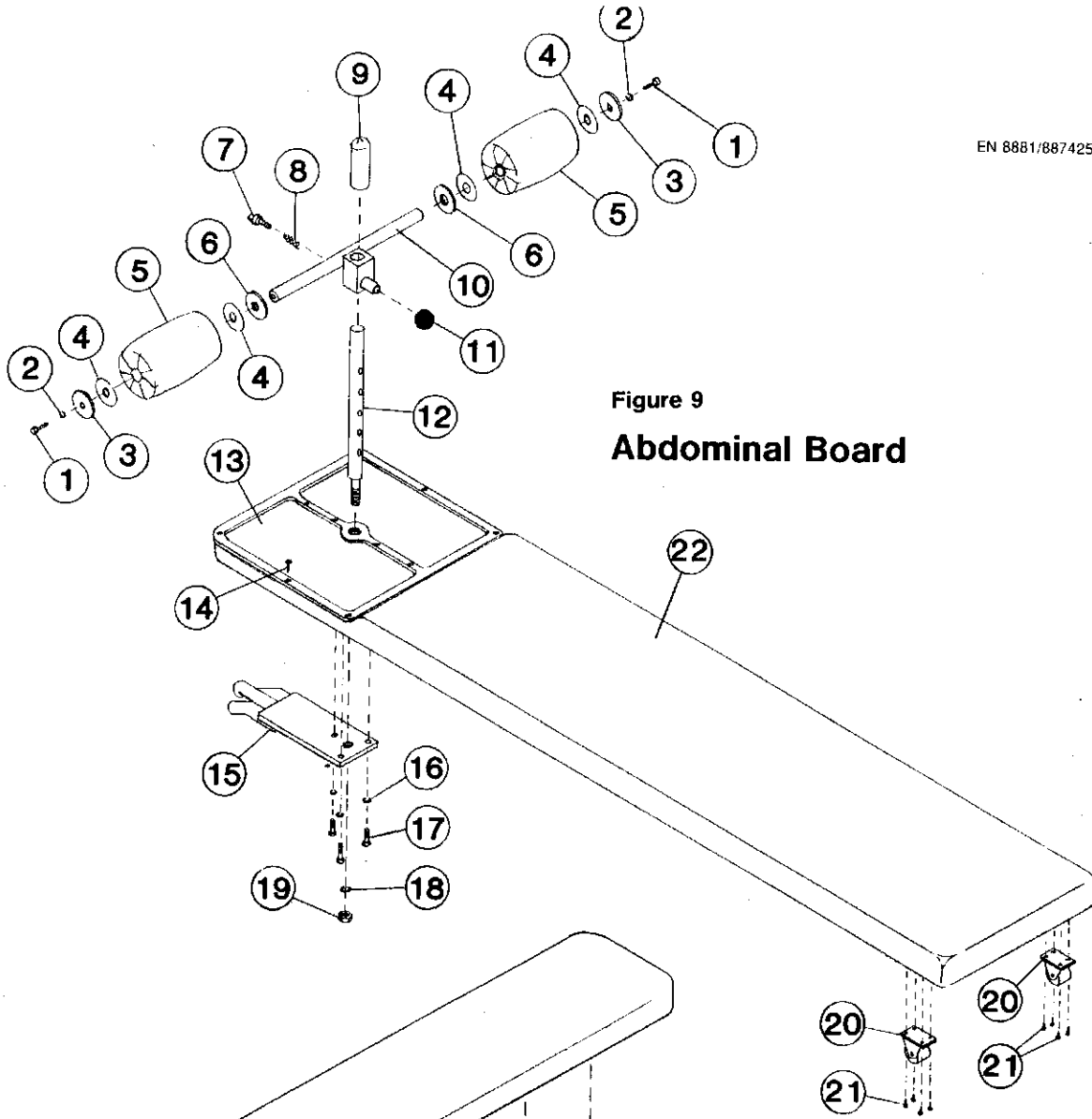


Figure 9  
Abdominal Board

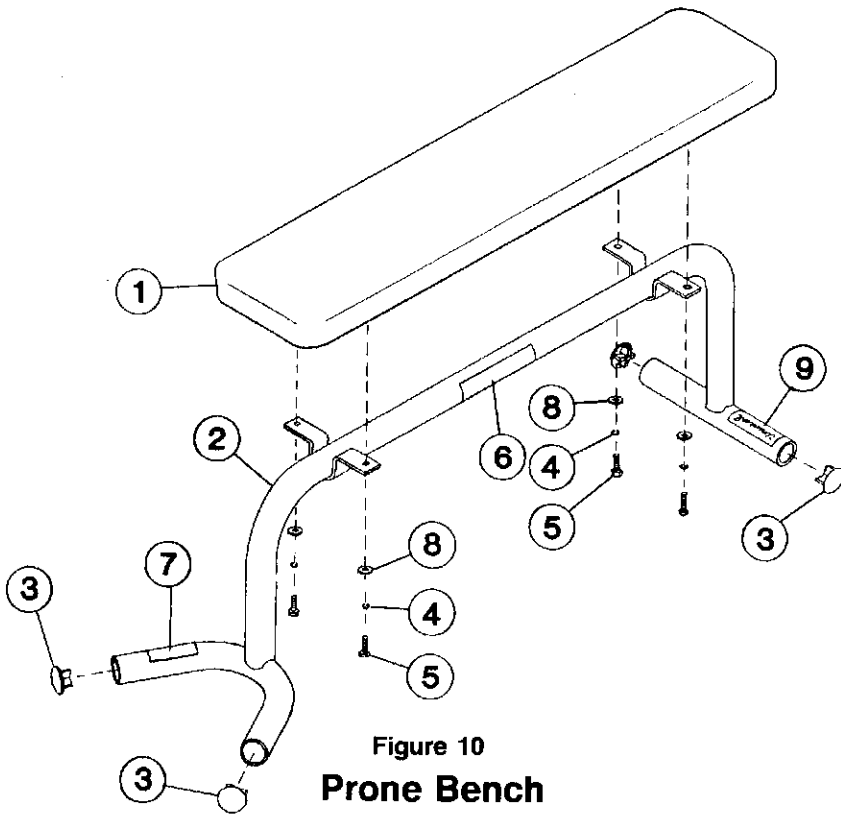


Figure 10  
Prone Bench

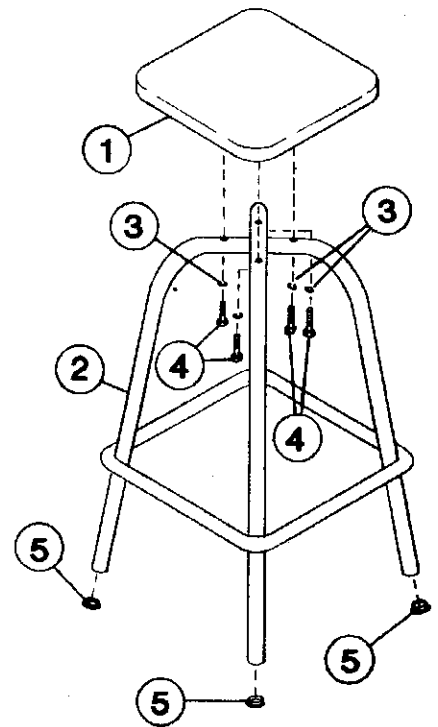


Figure 11  
Tall Stool



## PARTS LIST

**Important — Parts shown below may not be available as replacement parts. Refer to service kit drawings enclosed.**

Item	Part No.	Description
1	99372	GRIP-BLACK 7/8 x 7 1/2
2	99609	SCREW-3/8-16 x 1 1/4 HHC GR5
3	99103	WELDMENT-CHINNING HANDLE
4	94213	NUT-3/8-16 UNC-2A TORK-LOK
5	99610	SCREW-3/8-16 x 2 1/4 HHC GR5
6	98250	WELDMENT-TOP FRAME
7	99615	SCREW-3/8-16 x 3 1/2 HHC GR5
8	99102	WELDMENT-DIAGONAL BAR
9	99637	ROLL PIN-1/4 x 5/8
10	99138	GRIP COLLAR W/HOLE
11	99146	GRIP COLLAR-CHEST ARM
12	98255	WELDMENT-CHEST ARM
13	94376	LOCKWASHER 1/2"
14	98322	TOP RUNNER GUIDE BRACKET-2 HOLE
15	99639	ROLL PIN-5/16 x 1 1/2
16	98299	FRAME POST #4
17	98251	WELDMENT-SQUARE TUBE BRACE
18	98296	FRAME-#1
19	99634	FENDER WASHER-3/8"
20	99258	ROUND TUBE BRACE-43"
21	99371	GRIP-BLACK 7/8 x 4 1/2
22	99627	NUT-1/2-20 HEX
23	99325	ALUMINUM DISC-3/4 ID
24	92470	SCREW-3/8 x 2 1/2 SOC HD SHOULDER
25	99321	UPHOLSTERED ROLLER
26	92433	SCREW-3/8-16 x 3/8" CUP PT SET
27	99315	SCREW-5/16-18 x 1 THUMB
28	99142	COLLAR-LIFT ARM
29	99182	WELDMENT-BACK ARCH FRONT FRAME
30	99620	NUT-5/16-18 HEX LOCK
31	99618	SCREW-1/2-13 x 3 1/2 HHC GR5
32	99638	ROLL PIN-5/16 x 3/4
33	99249	SELECTOR KEY
34	99652	SCREW-3/8-16 x 1/2 HHC GR5
35	98326	ROD END BEARING-3/8
36	99230	TOP WEIGHT ASSY-15# BLACK TOP WEIGHT ASSY-15# CHROME
37	97617	SNAP RING
38	992143	BUSHING
39	993110	WEIGHT-15# CORELESS BLACK
	993113	WEIGHT-15# CORELESS CHROME
40	99180	PULLEY BRACKET WELDMENT
41	99281	BACK ARCH FOOT REST
42	99309	PLASTIC PLUG-1 1/2" SQUARE
43	99265	RUBBER DONUT-1 1/16
44	99242	WELDMENT-BOTTOM RUNNER GUIDE BRKT
45	98572	WELDMENT-HIP FLEXOR HANDLE
46	993193	SELECTOR SHAFT-CHEST
47	99723	BEARING-T/K
48	98298	FRAME POST #3
49	993111	WEIGHT-20# CORELESS BLACK
	993114	WEIGHT-20# CORELESS CHROME
50	99148	PIVOT-BUSHING-1" SHAFT
51	94215	NUT-1/2-13 UNC-2A TORK-LOK
52	99101	WELDMENT-LIFT ARM
53	99665	ROLL PIN-3/16 x 5/8
54	99124	LIFT ARM PIVOT SHAFT
55	98249	WELDMENT-BOTTOM FRAME
56	99633	LOCKWASHER-5/16"
57	99602	SCREW-5/16-18 x 1 HHC GR5
58	99190	MOUNTING PLATE-CHAIR EXTENSION

## PARTS LIST (Continued)

**Important—Parts shown below may not be available as replacement parts. Refer to service kit drawings enclosed.**

Item	Part No.	Description
59	99611	SCREW-3/8-16 x 2 1/2 HHC GR5
60	99248	CAP-GUIDE
61	99266	RECESS BUMPER GLIDE
62	99314	SCREW-5/16-12 x 3/4 HEX HEAD SELF TAP
63	99181	WELDMENT-BACK ARCH CENTER FRAME
64	99305	WHEEL-BOTTOM FRAME
65	99664	SCREW-1/2-20 x 2 1/4 HHC GR5
66	97714	RETAINING RING
67	98276	PIVOT SHAFT-1 HOLE
68	99370	GRIP-BLACK 5/8 x 3
69	98297	FRAME POST #2
70	99237	ASSEMBLY-BACK ARCH PAD
71	98283	RUNNER GUIDE-CHEST
72	99306	WHEEL-LIFT ARM
73	93076	ADJUST WELDMENT-BACK ARCH
74	98571	WELDMENT-HIP FLEXOR EXTENSION
75	99152	WELDMENT-CHEST PIVOT TUBE
76	99661	SCREW-5/16-24 x 1 3/4 HHC GR5
77	99662	NUT-5/16-24 HEX LOCK
78	98031	COMPRESSION SPRING
79	99125	PLUNGER
80	92466	SCREW-1/2-13 x 1 BTN HD SOC
81	99132	PIVOT SHAFT-2 HOLES
82	99607	SCREW-5/16-18 x 2 3/4 HHC GR5
83	99178	WELDMENT-CHAIR
84	98256	WELDMENT-SHOULDER ARM
85	98947	FOOT PEDAL-750
86	99147	GRIP-SHOULDER HANDLE
87	993197	SELECTOR SHAFT-SHOULDER
88	98215	TOP RUNNER GUIDE BRACKET (3 HOLES)
89	98284	RUNNER GUIDE-SHOULDER
90	98285	RUNNER GUIDE-LEG
91	98945	SCREW-3/8-16 x 2 HHC GR8
92	993195	SELECTOR SHAFT-LEG
93	99232	WEIGHT ASSEMBLY-20# TOP BLACK WEIGHT ASSEMBLY-20# TOP CHROME
94	94361	LOCKWASHER-1/4"
95	98946	FOOT PEDAL-500
96	99177	WELDMENT-CHAIR EXTENSION
97	92810	SCREW-5/16-24 x 2 HHC GR5
98	99344	UPHOLSTERY-SEAT BACK
99	99345	UPHOLSTERY-SEAT BOTTOM
100	98257	WELDMENT-BELLCRANK
101	99179	WELDMENT-DIPPING STATION
102	99600	SCREW-1/4-20 x 1 HHC GR5
103	99153	WELDMENT-SHOULDER PIVOT TUBE
104	99310	PLASTIC KNOB
105	99374	PLUG-2" OD
106	95751	ROLL PIN-5/16 x 2"
107	99476	WELDMENT-T/K EXTENSION
108	99612	SCREW-3/8-16 x 2 3/4 HHC GR5
109	99275	PULLEY BRACKET #1001A
110	99631	SCREW-5/8 x 1 1/2 SOC HD SHOULDER
111	97600	LABEL-UNIVERSAL WARNING
112	992187	PLUNGER
113	99603	SCREW-5/16-18 x 1/12 HHC GR5
114	99346	WELDMENT-PULLEY

## PARTS LIST (Continued)

**Important—Parts shown below may not be available as replacement parts. Refer to service kit drawings enclosed.**

Item	Part No.	Description
115	94311	WASHER-1/2" PLAIN
116	99279	PULLEY BRACKET #2076
117	98961	PLUG-2" SQUARE
118	99350	STOP COLLAR-RUNNER GUIDE
119	99247	CLEVIS-FLAT
120	99319	CAP-CLEVIS PIN
121	99307	CLEVIS PIN
122	993109	WEIGHT-10# CORELESS BLACK
	993112	WEIGHT-10# CORELESS CHROME
123	94283	FASTENER-PUSHNUT
124	99655	SCREW-1/2-13 x 5 HHC GR5
125	99246	RUNNER GUIDE SHORT-LOW PULLEY
126	99239	CABLE ASSEMBLY-HI PULLEY
127	99255	RUNNER GUIDE-LOW PULLEY
128	99228	WEIGHT ASSY-10# TOP BLACK
	99747	WEIGHT ASSY-10# TOP CHROME
129	993209	SELECTOR SHAFT-LOW PULLEY PRE-DRILLED
130	99105	WELDMENT-LAT BAR
131	99254	RUNNER GUIDE-HI PULLEY
132	993207	SELECTOR SHAFT-HI PULLEY
133	99240	CABLE ASSEMBLY-LO PULLEY
134	99377	CURL BAR ASSEMBLY W/O CHAIN
135	99394	CHAIN-#2/0 PASSING LINK 15" LONG
136	99386	"S" HOOK PIGTAIL
137	99243	WELDMENT-LO PUL BOT RUN GDE BRKT
138	99277	PULLEY BRACKET #2053
139	99630	SCREW-5/8 x 1 1/4 SHOULDER
140	99649	SCREW-1/4-20 x 2 1/4 HHC GR5
141	99468	UPHOLSTERY ASSEMBLY-T/K BOARD
142	992494	PIVOT SHAFT-T/K
143	94764	SCREW-5/16-18 x 3 1/2 HHC GR5
144	992473	WELDMENT-T/K ARM
145	99656	SCREW-3/8-16 x 5 1/2 HHC GR5
146	99710	BUMPER-RUBBER SLEEVE
147	98046	SPRING-1 1/2 COMPRESSION
148	97622	DECAL-UNIVERSAL ADDRESS 5 1/2"
149	99472	WELDMENT-FRONT LEG
150	97623	DECAL-UNIVERSAL SERIAL NUMBER
151	92498	SCREW-1/4-20 x 2 1/2 HHC GR5
152	98833	PLUG-1 1/2 x 2 1/2 PLASTIC
153	99373	GRIP-1 3/8 x 6 BLACK
154	99613	SCREW-3/8-16 x 3 HHC GR5
155	992160	BRACKET-1/4 x 2 x 4 1/2 (2 HOLES)
156	992312	DISC-END CAP
157	992814	FRICTION PAD
158	52222	WASHER .781 ID x 2.50 OD x .06 NYLON
159	99608	SCREW-3/8-16 x 1 HHC GR5
160	99606	SCREW-5/16-18 x 2 1/2 HHC GR5
161	97621	DECAL-UNIVERSAL ADDRESS 8 1/2"
162	94296	WASHER-5/16" PLAIN
163	993104	BEARING-SINGLE ROW
164	99470	CABLE ASSY-T/K

**The following parts are present on six station machines only:**

165	99397	HANDGRIPPER
166	99663	SCREW-3/8-16 x 2 HHC GR5
167	99419	WRIST ROLLER BAR
168	992079	FRAME POST #3 W.R. BAR GLADIATOR
169	99415	PLUG-PLASTIC
170	99644	SCREW-3/8-16X
171	99396	WRIST ROLLER
172	992078	FRAME POST #2 W.R. BAR GLADIATOR

## PARTS LIST (Continued)

Important — Parts shown below may not be available as replacement parts. Refer to service kit drawings enclosed.

### Prone Bench

Item	Part No.	Description
1	992017	UPH ASSY — FLAT BENCH (PRONE)
2	99183	FRAME WELD'T — FLAT BENCH (PRONE)
3	99374	PLUG — 2" OD CHROME
4	99633	LOCKWASHER — 5/16"
5	99602	SCREW — 5/16-18 x 1 HHC GR5
6	99368	DECAL
7	98959	LABEL-WARNING
8	94296	WASHER — 5/16"
9	97622	DECAL — UNIVERSAL ADDRESS

### Abdominal Board

Item	Part No.	Description
1	99624	SCREW — 1/4-20 x 3/4
2	94361	LOCKWASHER — 1/4"
3	99465	DISC — 1/4" ID ALUM.
4	52222	WASHER — .781 I.D. NYLON
5	99321	UPHOLSTERED ROLLER
6	99325	DISC — 25/32" ID ALUMINUM
7	992187	PLUNGER, LONG-POWER PACK
8	98046	SPRING — 1 1/2" COMPRESSION
9	99371	GRIP-BLACK 7/8 x 4 1/2"
10	992972	ROLLER ADJ BRKT WELD'T
11	99310	KNOB — 1 3/8" DIA PLASTIC
12	992971	UPRIGHT — AB BD ROLLER ADJ
13	99460	FOOT REST — AB BD
14	99464	DRIVE NAIL
15	99420	3 PRONG BRACKET
16	99633	LOCKWASHER — 5/16"
17	99644	SCREW — 5/16-18 x 1 3/4 HHC GR5
18	94381	LOCKWASHER — 5/8"
19	99647	NUT — 5/8-18 HEX
20	99462	WHEEL — AB BD
21	99463	SCREW — #10 x 1" RD HD S'TAP
22	99379	UPHOLSTERY ASSY — AB BD

### Tall Stool

Item	Part No.	Description
1	99238	UPHOLSTERY ASSY — STOOL TOP
2	99823	FRAME WELDMENT — TALL STOOL
3	99632	LOCKWASHER — 1/4 EXTERNAL TOOTH
4	99681	SCREW — 1/4-20 x 1 3/4 HHC G5
5	99311	CAP — 1" PLASTIC